

□ Features :

- 4 Digits Display For Input Signal: 0 ~ 9999
- Output Signals Are Programmable.
- Ultra-thin Dimension , 27mm width.
- Non-Combustible PC Case .DIN Rail or Wall Mounting.
- High Dielectric Strength (AC 2KV/Min , Input / Output / Power)



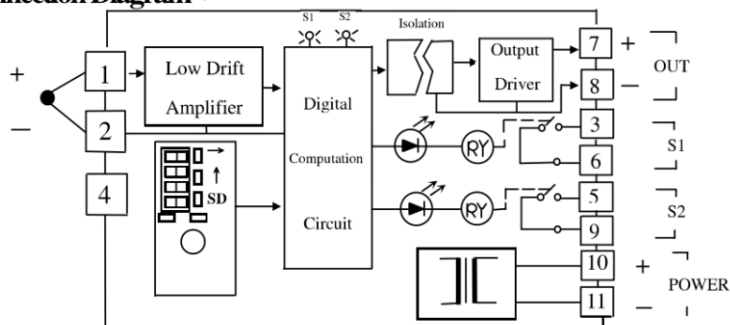
□ Model : TAT — □ — □ — □ — □

Input Signal		Alarm Setting		Output Signal		AUX. Power	
K	K Type..-270~1370°C/-520~2500°F	A	2Alarm Setting	A	DC 0~10mA	C	DC 22~72V
E	E Type..-270~800°C/-520~1500°F	N	None	B	DC 0~20mA	F	AC/DC 85~265V (AC&DC Share)
J	J Type..-210~700°C/-410~1300°F			C	DC 4~20mA		
T	T Type..-210~400°C/-410~760°F			D	DC 0~5v		
R	R Type..0~1700°C/32~3100°F			E	DC 1~5V		
S	S Type..0~1700°C/32~3100°F			F	DC 0~10V		
B	B Type..0~1750°C/32~3200°F			N	None		
				Y	Other	Y	Other

Specification :

- Accuracy : Input Accuracy $\pm 0.2\%FS$, Output Accuracy $\pm 0.1\%RO$, Display Accuracy $\pm 0.2\%FS \pm 12$.
- Display Range : 0.36" Red LED 4-digit 0 ~ 9999 Counts.
- Input Impedance : Voltage Input $\geq 1M\Omega$, Current Input $\leq 50\Omega$
- Output Load : Current Output : $< 750\Omega$ at 20mA , Voltage Output : 10mA Maximum
- Output Coordination : Digital Coordination
- Dielectric Strength : AC 2KV /1 Min , Input / Output / Power , DIN IEC 688.
- Input Protection : $\geq DC 2V, \leq 300Vrms$ Continuous. $\leq DC 2V, \leq 150Vrms$ Continuous. $\leq DC 20mA, \leq 150mA$ Continuous
- Linearity & Repeatability : $\leq 0.1\%$ Typical.
- Alarm Setting : 2 Sets Alarm Joins. Hi or Lo (selectable).
- Setting Range : 0 ~ 9999 Counts (Programmable)
- Dead band : 0 ~ 9999 Counts (Programmable).
- Delay Time : 0 ~ 99 sec. (Programmable).
- SPDT Capacity : SPST AC 120V 5A ,250V 2.5A,DC 24V 3A PF=1
- Stability : $\leq 0.2\%$ /year
- Response Time : $\leq 1Sec$
- Ripple : $\leq 0.1\%rms RO$
- Temperature Coefficient : $\leq 100ppm / ^\circ C$ From 0~60°C
- Operation Condition : -5°C ~+85°C 20~95% RH Non-Condensed
- Storage Condition : -10°C ~+105°C 20~95% RH Non-Condensed
- Power Fluctuation Rate : Power Can Stand AC 85~265V or DC 24V $\pm 10\%$, Aux. Power Effect : $\leq 0.03\%$ /V
- CE : EN 61000-6-4 , EN 61000-6-2 , EN 61000-3-2
- Case Material : Non-Combustible PC Case. Qualified to UL 94 CLASS V-O
- Mounting : DIN Rail or Wall Mounting.
- Dimension : 27 W x 119 H x 72 L (including base)

□ Connection Diagram :



All Specifications are subject to change without prior notice.